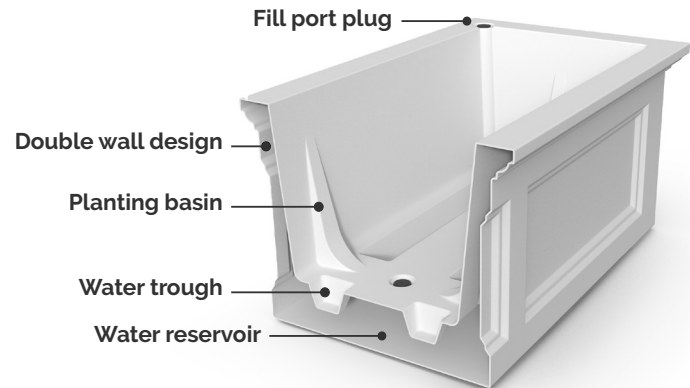


#MIS138

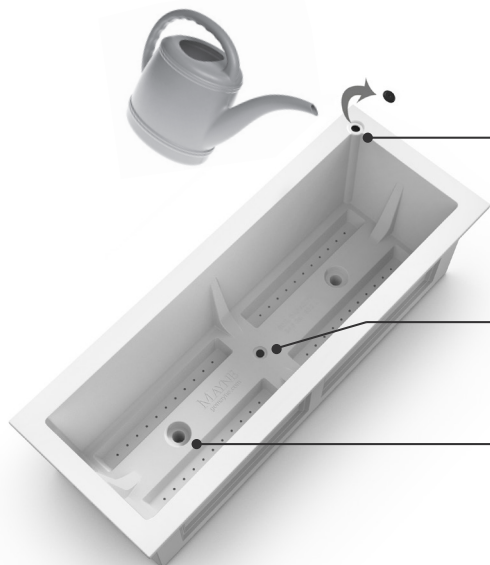
Model #4889

# Fairfield

## Garden Bed



- This outdoor planter has a built-in water reservoir and pre-drilled overflow hole to ensure your plants have consistent moisture without being oversaturated.
- Avoid using garden soil or top soil for container planting, it's often too dense and restricts air circulation. A potting mix is strongly recommended and will ensure better plant growth.
- Rinse clean with a garden hose; for a deeper clean, use a power washer.
- 15-year warranty residential use, 5-year warranty commercial use.



Remove fill port plug for direct access to the water reservoir.

The plastic plug at the bottom of the planter helps seal a vent created during the manufacturing process. No need to remove this plug.

Planter has 2 built-in overflow holes.

*Polyresin Planter*  
*UV Protected*  
*Shock Resistant*  
*All Weather Material*



**MAYNE**<sup>®</sup>  
Bring life to your home & garden

For customer service inquiries email [customerservice@gomayne.com](mailto:customerservice@gomayne.com) or call toll free at 866-363-8834. For more information visit [gomayne.com](http://gomayne.com).